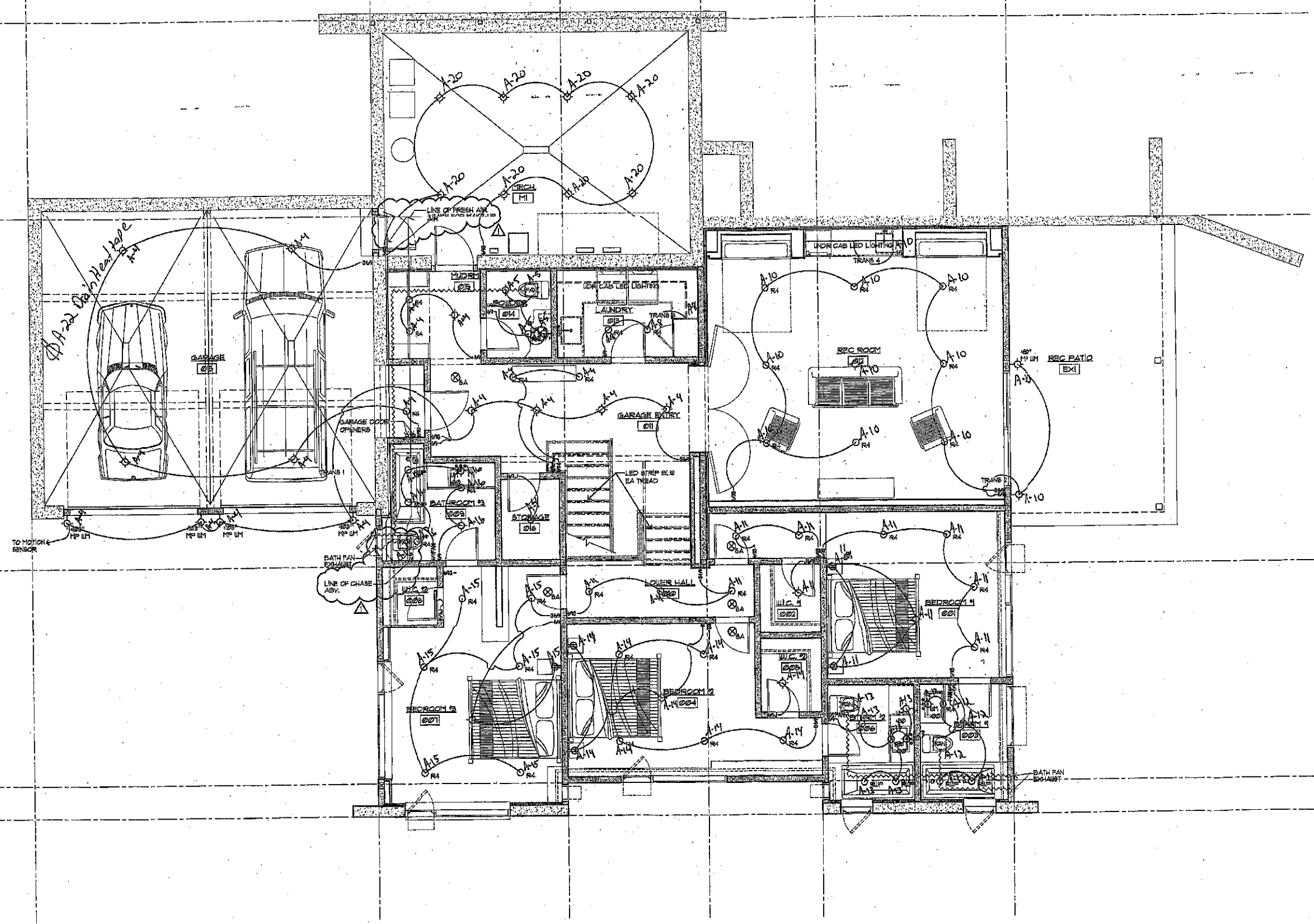


LOWER LEVEL POWER PLAN
SCALE: 1/4" = 1'-0"

PEARSON DESIGN GROUP, Inc.
1111 EAST MAIN STREET, SUITE 100, DEERFIELD, IL 60015
OFFICE: 630.420.0000

CAUDY-HEIGHTEN
GROS VENTRE NORTH, LOT #1
JACKSON, ILLINOIS

JOB NUMBER	
DRAWN BY:	JAB
CHECKED BY:	XXX
CURRENT ISSUE:	FOR CONSTRUCTION
DATE	05.30.2012
REVISION	DATE
BUILDING PERM	02/17/12
P.F. RES.	05.2012



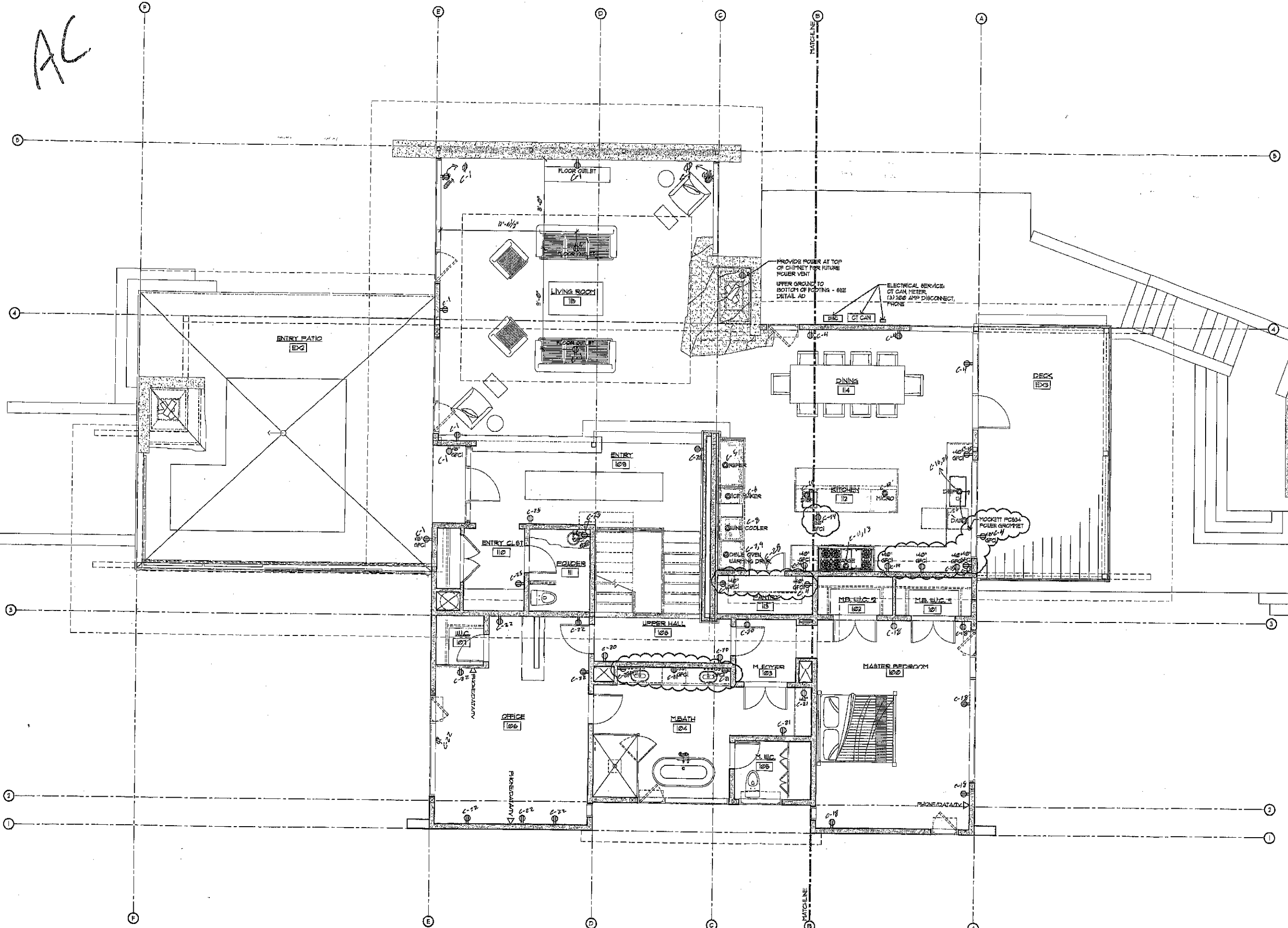
LOWER LEVEL LIGHTING PLAN
 SCALE: 1/4"=1'-0"

DESIGNER
PEARSON DESIGN GROUP, Inc.
 111 EAST MAIN STREET, SUITE 200, BOZEMAN, MT 59717
 OFFICE: 409.551.1111 FAX: 409.551.1112

PROJECT
CAUDY-HEIGHTEN
 GROS VENTRE NORTH, LOT #1
 JACKSON, MONTANA
 LAYOUTING

JOB NUMBER	
DRAWN BY:	JAB
CHECKED BY:	
DATE	
CURRENT ISSUE:	FOR CONSTRUCTION
	05.30.2012
REVISION	DATE
Δ	MEG/COR 05/12

AC

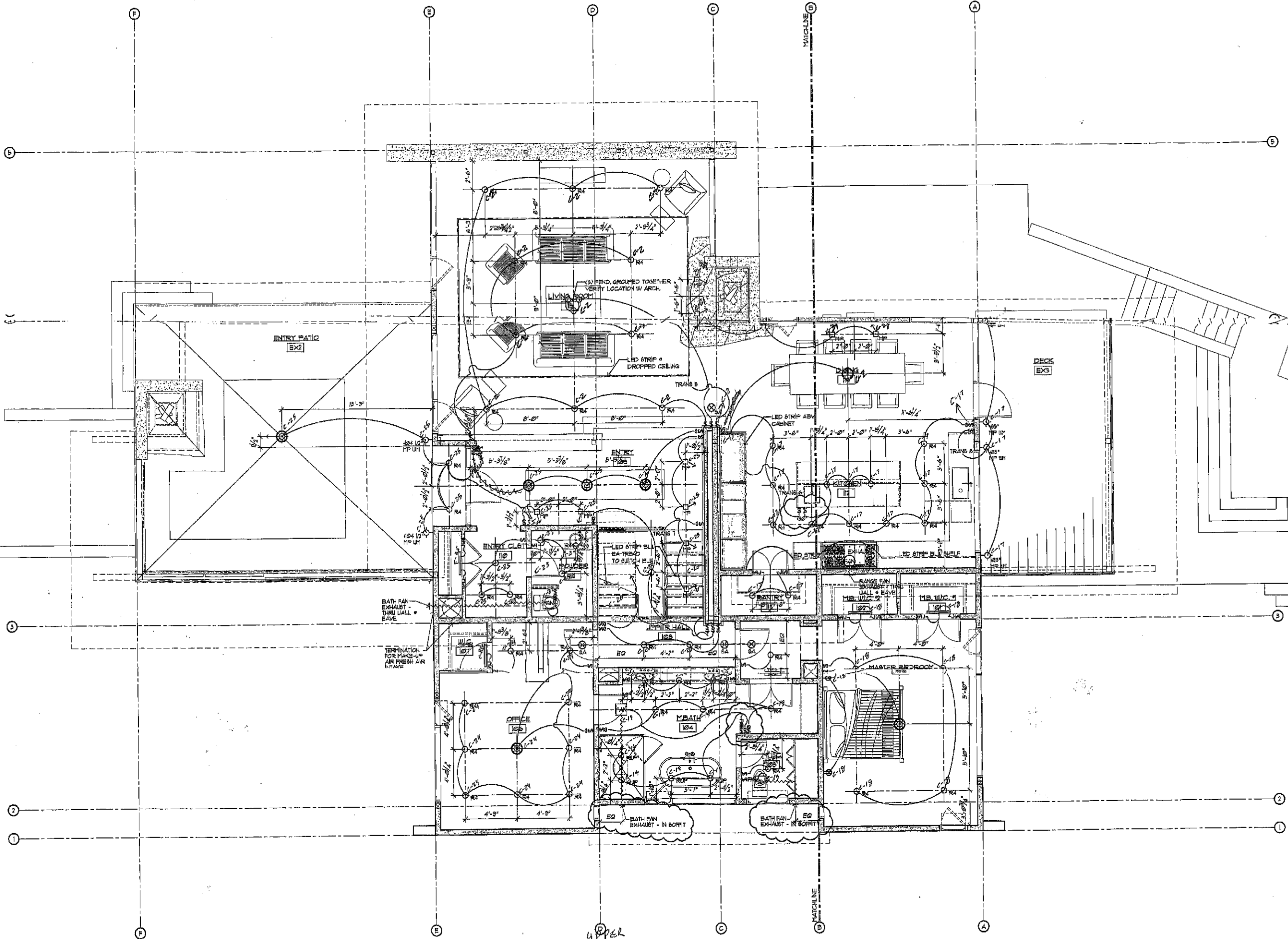


MAIN LEVEL POWER PLAN
 SCALE: 1/4" = 1'-0"

DESIGNER
PEARSON DESIGN GROUP, I.P.C.
 110 EAST MAIN STREET, SUITE 500, BOZEMAN, MT 59717
 OFFICE: 409.493.8181 FAX: 409.493.8185

PROJECT
CAUDY-HEIGHTEN
GROS VENUE NORTH, LOT #1
JACKSON, WYOMING

JOB NUMBER
DRAWN BY: JAB
CHECKED BY: XXX
CURRENT ISSUE: FOR CONSTRUCTION 08.30.2012
REVISION: DATE
▲ SP. SHOP REV. OTHER
▲ RFI # 010 08/08/12
▲ RFI # 015 08/12
▲ RET. REV. 15 10/26/12
▲ SPOD. REV. 18.1
▲ RFI # 020 02/20/13

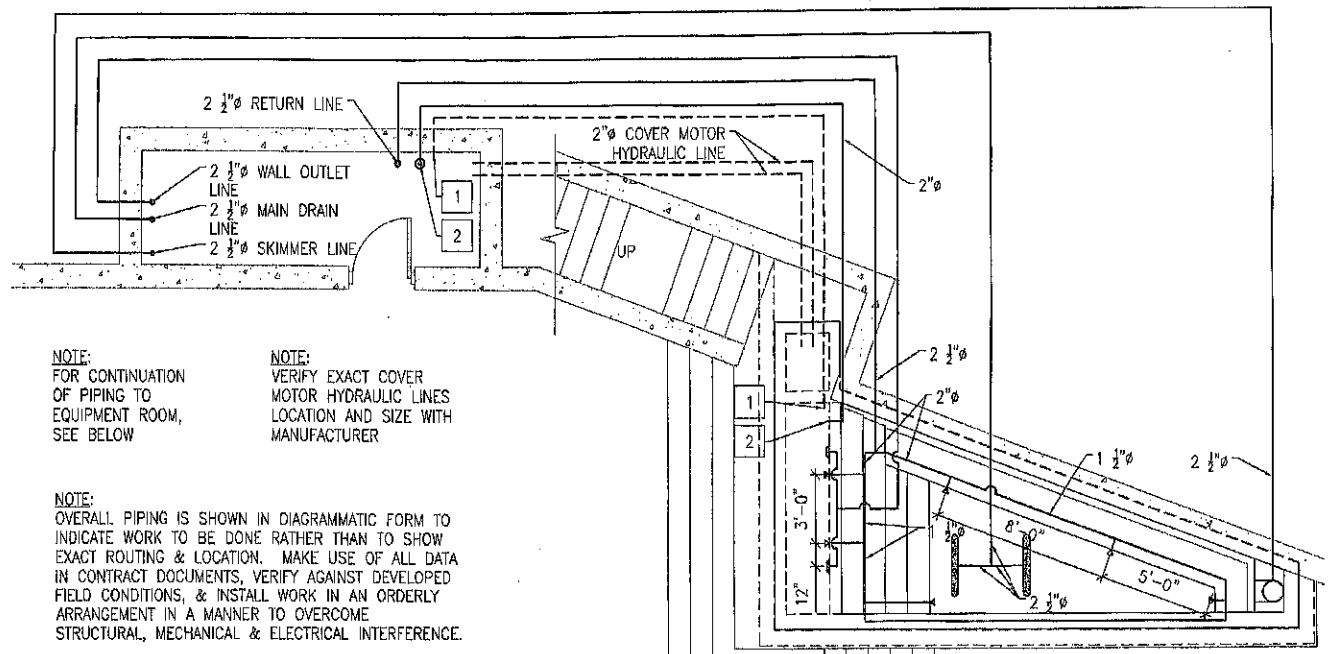


UPPER
LOWER LEVEL LIGHTING PLAN
SCALE: 1/4" = 1'-0"

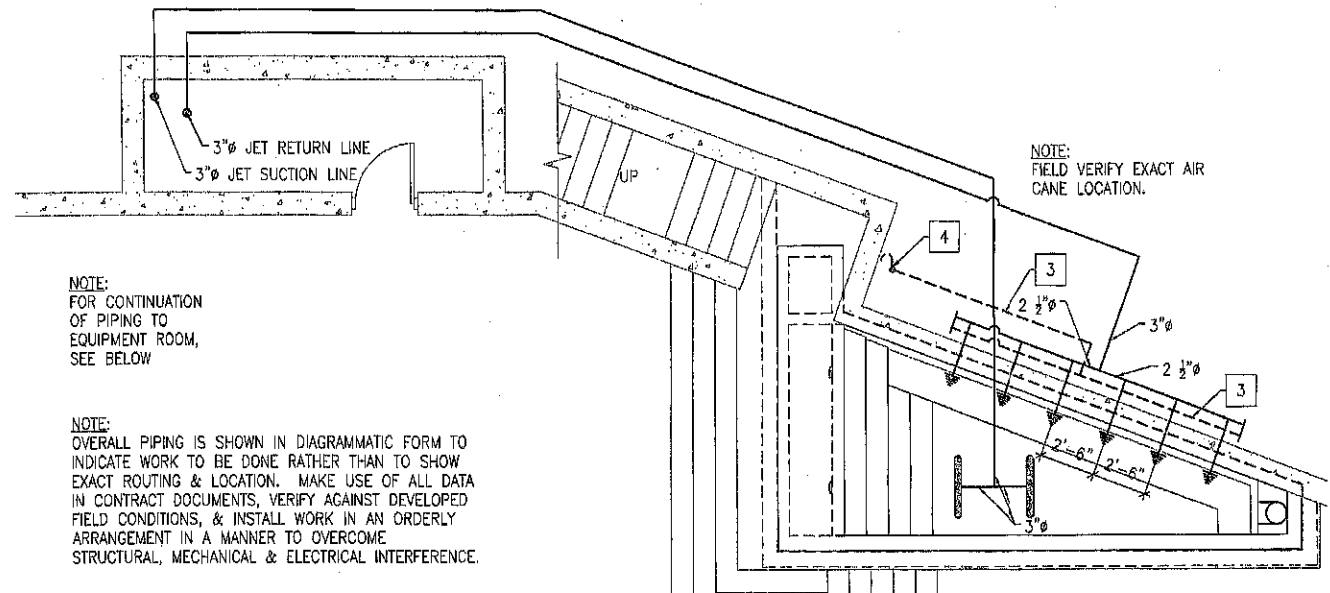
PEARSON DESIGN GRP, Inc.
 115 EAST MAIN STREET SUITE 100, JACKSON, WY 83001
 TEL: 307.733.1111 FAX: 307.733.1112

CADY-HEIGHTEN
 GROSSVIRE NORTH, LOT #1
 JACKSON, WYOMING

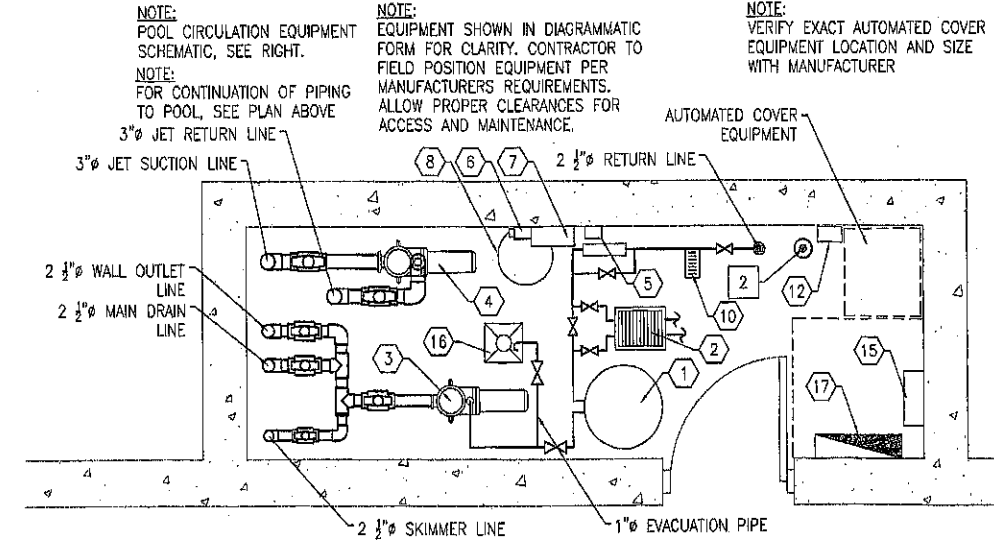
JOB NUMBER	
DRAWN BY:	JAB
CHECKED BY:	XXX
CURRENT ISSUE:	FOR CONSTRUCTION 05.30.2012
REVISION:	DATE
▲ R1 #010	08/06/12
▲ R1 #013	10/17/12
▲ R1 REV. 51	12/28/12
▲ R1 REV. 52	1/18/13
▲ R1 #020	02/20/13



POOL CIRCULATION PIPING PLAN
SCALE: 1/4" = 1'-0"

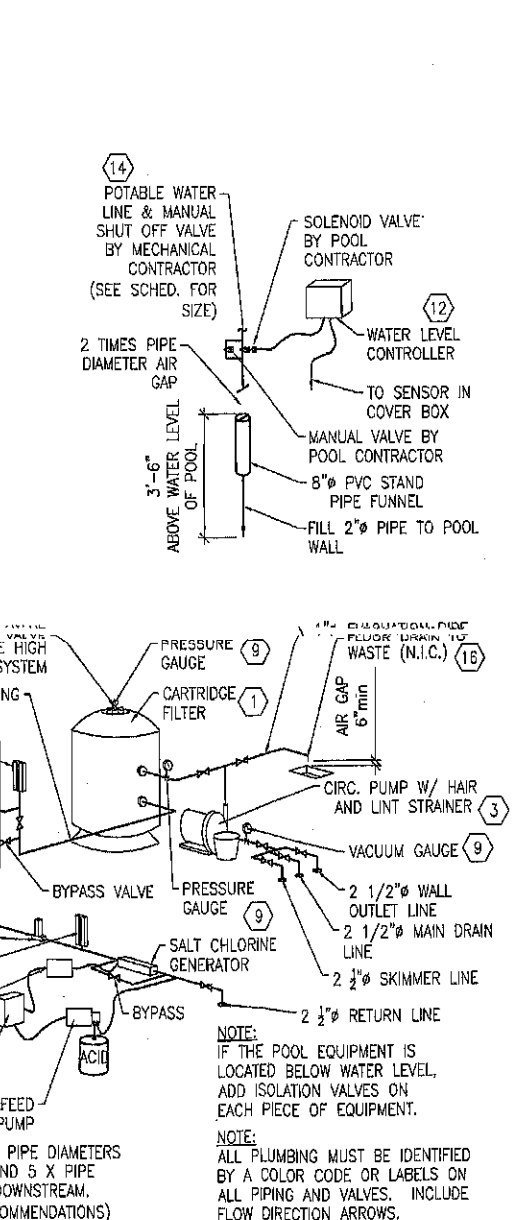


POOL HYDROTHERAPY PIPING PLAN
SCALE: 1/4" = 1'-0"



SPA EQUIPMENT ROOM PLAN
SCALE: 1/8" = 1'-0"

MARK	DESCRIPTION	QUANTITY	DETAIL	REQUIREMENT
1	CIRCULATION OUTLET FRAME AND GRATE	2	(E 3)	AQUASTAR CHANNEL GRATE 3200FLxxx
REMARKS: TAMPER PROOF STAINLESS STEEL FASTENERS REQUIRED. OUTLET COVERS SHALL COMPLY WITH ASME/ANSI A112.19.80-2008 OR CURRENT ADOPTED STANDARD. VERIFY COLOR WITH ARCHITECT.				
2	WALL RETURN WATER INLET FITTING	6	(H 3)	AQUASTAR EYE-BALL ADJUSTABLE
REMARKS: 1" ORIFICE SIZE. VERIFY COLOR WITH ARCHITECT.				
3	HYDRO THERAPY JET FITTING	6	(J 3)	HYDRO-AIR OR EQUAL
REMARKS: SHOTCRETE VENTURI TEE. PROVIDE REDUCER FOR 18 G.P.M./JET. VERIFY COLOR WITH ARCHITECT.				
4	SURFACE SKIMMER	1	(S 3)	AQUASTAR SKR1xxx
REMARKS: NSF APPROVED W/EQUALIZER LINE WITH LISTED COVER TO COMPLY WITH ASME/ANSI A112.19.80-2008 OR CURRENT ADOPTED STANDARD. FLOAT VALVE AND CHECK VALVE. ROUND FRAME & COVER. VERIFY COLOR WITH ARCHITECT.				
5	WALL OUTLET	2	(G 3)	AQUASTAR BHP6xxx
REMARKS: NSF APPROVED WITH LISTED COVER TO COMPLY WITH ASME/ANSI A112.19.80-2008 OR CURRENT ADOPTED STANDARD. ROUND FRAME & COVER.				
6	WATER LEVEL SENSING WIRE	1	N/A	PROVIDE 3/4" CONDUIT
REMARKS: PROVIDE CONDUIT TO SENSOR MOUNTED IN COVER BOX. PROVIDE NECESSARY WIRE LENGTH AND INTERMEDIATE JUNCTION BOXES AS NEEDED.				
7	FILL LINE	1	N/A	2" PIPE
REMARKS: FILL LINE FROM EQUIPMENT ROOM. TERMINATE FILL LINE AT COVER BOX WALL.				
8	AIR LINE WITH JET SYSTEM	N/A	N/A	SCH. 40 PVC PIPE
REMARKS: SIZE AIRLINE TO ACCOMMODATE 4 JETS. PROVIDE HARBORFORD LOOP. ROUTE PIPE ABOVE WATER LEVEL WITHOUT LOW SPOTS.				
9	MINI-JET	1	MINI-JET	3/8" x 3/8"
REMARKS: AIR CANE OPENING MINIMUM 8" ABOVE POOL WATER LEVEL. FIELD LOCATE.				



CIRCULATION SCHEMATIC PLAN
SCALE: NONE

MARK	DESCRIPTION	QUANTITY	DETAIL	REQUIREMENT
1	CARTRIDGE FILTER	1	SEE CIRC. EQ. SCHEMATIC	PENTAIR CLEAN & CLEAR PLUS COP220
REMARKS: 21.5" FILTER. 500 SF FILTER AREA.				
2	HEAT EXCHANGER	1	SEE CIRC. EQ. SCHEMATIC	MEUALER 10X 400,000 BTU
REMARKS: PROVIDE AND INITIAL HEAT EXCHANGER, BOILER WATER CONNECTIONS, TEMPERATURE CONTROLS, CONTROL VALVE AND HIGH LIMIT SHUT OFF SWITCH. LIMIT SWITCH TO BE SET AT MAXIMUM 1X DEGREES F. PROVIDE TWO (2) TEMPERATURE SENSOR WELLS ON POOL INFLUENT PIPING TO HEAT EXCHANGER. ALSO SEE ELECTRICAL INTERLOCK NOTES.				
3	CIRCULATION PUMP WITH HAIR AND LINT STRAINER	1	SEE CIRC. EQ. SCHEMATIC	PENTAIR WHISPERFLO WFE-6 (1.5 HP)
REMARKS: AT 65 GPM, 80 FEET TDH AVAILABLE. 230 V, SINGLE PHASE, 3450 RPM, WITH 3 AUXILIARY CONTACTS. SEE ELECTRICAL INTERLOCK NOTES (BY ELECTRICAL CONTRACTOR). VERIFY WITH ELECTRICAL CONTRACTOR/ENGINEER FOR EXACT ELECTRICAL REQUIREMENTS.				
4	HYDRO THERAPY JET PUMP WITH HAIR AND LINT STRAINER	1	N/A	PENTAIR WHISPERFLO WFE-6 (1.5 HP)
REMARKS: AT 106 GPM, 53 FEET TDH AVAILABLE. 230 V, SINGLE PHASE, 3450 RPM, WITH 3 AUXILIARY CONTACTS. SEE ELECTRICAL INTERLOCK NOTES (BY ELECTRICAL CONTRACTOR). INTERLOCK WITH EMERGENCY SHUT OFF SWITCH. VERIFY WITH ELECTRICAL CONTRACTOR/ENGINEER FOR EXACT ELECTRICAL REQUIREMENTS.				
5	SALT CHLORINE GENERATOR	1	SEE CIRC. EQ. SCHEMATIC	JANDY APURE 1400
REMARKS: 120 VAC, 60 Hz, 2.5 AMPS. INSTALL PER MANUFACTURER'S REQUIREMENTS.				
6	WATER LEVEL CONTROL SYSTEM	1	SEE CIRC. EQ. SCHEMATIC	STENNER #K-1100
REMARKS: MAKE CONNECTION TO POTABLE WATER VALVE AND PROVIDE SOLENOID VALVE AND 2" FILL PIPE TO POOL WALL. SENSOR UNIT LOCATED IN COVER BOX. SEE POTABLE WATER PIPING REMARKS BELOW.				
7	CHEMICAL CONTROLLER	1	SEE CIRC. EQ. SCHEMATIC	IPS-M750 OR EQUAL
REMARKS: CONTROLS ORP/PH, 120 VAC, 60 Hz, 1 AMP. SEE ELECTRICAL INTERLOCK NOTES. ELECTRICAL INTERLOCKING BY ELECTRICAL CONTRACTOR.				
8	ACID STORAGE CONTAINER	1	SEE CIRC. EQ. SCHEMATIC	5 GALLON CONTAINER
REMARKS: START UP CHEMICALS PROVIDED BY POOL CONTRACTOR. VERIFY STORAGE CAPACITY REQUIRED. FOR ACID STORAGE.				
9	PRESSURE GAUGE AND VACUUM GAUGE	2	SEE CIRC. EQ. SCHEMATIC	0-60 PSI
REMARKS: NOT SHOWN ON PLAN. SEE FILTER SCHEMATIC. INTEGRATE WITH FILTER INFLUENT AND EFFLUENT PRESSURES. VACUUM GAUGE ON SUCTION SIDE OF PUMPS.				
10	FLOWMETER	1	SEE CIRC. EQ. SCHEMATIC	BLUE WHITE #F30200P
REMARKS: FLOWMETER RANGE 40-150 GPM.				
11	THERMOMETER	3	SEE CIRC. EQ. SCHEMATIC	LETRIO
REMARKS: 3/16 TO 1/8" I.D. NOT SHOWN ON PLANS. SEE FILTER SCHEMATIC. PROVIDE THERMOMETERS ON INFLUENT AND EFFLUENT LINES OF HEATER. INSTALL ONE THERMOMETER IN A EASY REACHABLE LOCATION MIN. 10 PIPE DIAMETERS DOWN STREAM FROM THE BYPASS VALVE IF USED.				
12	WATER LEVEL CONTROL SYSTEM	1	SEE CIRC. EQ. SCHEMATIC	LETRIO #K-1100
REMARKS: MAKE CONNECTION TO POTABLE WATER VALVE AND PROVIDE SOLENOID VALVE AND 2" FILL PIPE TO POOL WALL. SENSOR UNIT LOCATED IN COVER BOX. SEE POTABLE WATER PIPING REMARKS BELOW.				
13	FILTER ROOM FACE PIPING	SEE CIRC. EQ. SCHEMATIC	PVC SCHEDULE 40	
REMARKS: 2" PIPE				
14	POTABLE WATER PIPING AND VALVES TO EQUIPMENT ROOM	SEE CIRC. EQ. SCHEMATIC	POTABLE WATER LINE	
REMARKS: POTABLE WATER LINE NOT SHOWN ON PLANS. SEE FILTER SCHEMATIC. FRESH WATER LINE AND VALVES TO EQUIPMENT ROOM BY MECHANICAL CONTRACTOR. PROVIDE 2" STANDPIPE IN EQUIPMENT ROOM, 2 TIMES PIPE DIAMETER AIR GAP REQUIRED.				
15	AUTOMATIC SPA CONTROL SYSTEM	1	N/A	JANDY AQUALINK
REMARKS: COORDINATE LOCATION OF SPA SIZE RANGE AND IN-ROOM CONTROL PANEL WITH OWNER. PROVIDE ALL NECESSARY CABLES AND RELAYS.				
16	FLOOR DRAIN	1	N/A	WITH GRATING AND DRAIN TO SANITARY SEWER
REMARKS: MECHANICAL ENGINEER TO VERIFY SIZE OF DRAIN REQUIRED. FLOOR DRAIN BY GENERAL CONTRACTOR. LINE TO APPROVED WASTE BY MECHANICAL CONTRACTOR.				
17	ELECTRICAL PANEL AND/OR MOTOR STARTERS	AS REQUIRED	N/A	ALSO SEE ELECTRICAL DRAWINGS
REMARKS: PANEL AND STARTERS PROVIDED BY ELECTRICAL CONTRACTOR SHALL INCLUDE WIRING AND CONDUIT. ELECTRICAL CONTRACTOR SHALL MAKE ALL CONNECTIONS TO EQUIPMENT. PROVIDE CONTROL WIRING AS DIRECTED BY POOL CONTRACTOR. SEE ELECTRICAL INTERLOCK NOTES.				

SEE ADDITIONAL NOTES SHEET 4

SYMBOL LEGEND	
(Symbol)	VALVE
(Symbol)	VALVE

- EQUIPMENT ROOM NOTES:**
1. FILTRATION AND CHEMICAL EQUIPMENT SHALL BE NATIONAL SANITATION FOUNDATION (NSF) APPROVED.
 2. EQUIPMENT SHALL BE INSTALLED ON SLABS WITH MINIMUM 4" THICKNESS AND AS REQUIRED TO WITHSTAND THE LOADS ASSOCIATED WITH THE POOL EQUIPMENT AND PIPING.
 3. COORDINATE WITH ALL OTHER TRADES & VERIFY EXACT LOCATION OF POOL EQUIPMENT.
 4. SEE OVERALL PIPING PLAN TO VERIFY PIPE SIZES AND FOR CONTINUATION OF PIPING. IF THERE ARE ANY DISCREPANCIES, REPORT THEM IMMEDIATELY TO THE ARCHITECT/ENGINEER.
 5. POOL CONTRACTOR SHALL IDENTIFY ALL PIPING AND VALVES BY COLOR CODING AND DIRECTION OF FLOW ARROWS IN ACCORDANCE WITH LOCAL HEALTH CODE.
 6. REDUCER FITTINGS SHALL BE USED WHERE PIPE SIZES CHANGE.
 7. NO COMMON PIPING OR FITTING ON THE SUCTION SIDE OF THE PUMPS IS TO BE SMALLER THAN THE LARGEST SINGLE ELEMENT CONNECTED. DOWNSIZING AND UPSIZING IS TO BE DONE AT THE THROATS OF THE PUMP PORTS.
 8. ALL VALVES SHALL HAVE A MINIMUM PRESSURE RATING OF 125 PSI.
 9. THE CIRCULATION PUMP MAY BE REPLACED WITH ANY NSF APPROVED PUMP THAT PROVIDES A FLOW BETWEEN THE MINIMUM & MAXIMUM FLOW RATE AND HEAD SPECIFIED.
 10. ALL TRADES SHALL KEEP SPACE ABOVE THE FILTRATION AND CHEMICAL EQUIPMENT CLEAR FOR SERVICING.
 11. HAIR AND LINT STRAINER OPENINGS SHALL BE NO MORE THAN 1/8". THE HAIR AND LINT STRAINER MUST PROVIDE A FREE FLOW CAPACITY OF AT LEAST FOUR TIMES THE AREA OF THE PUMP SUCTION LINE.
 12. FILTER SHALL BE PROVIDED WITH THE FOLLOWING APPROPRIATELY LOCATED ACCESSORIES: INFLUENT AND EFFLUENT PRESSURE GAUGES, BACKWASH SIGHT GLASS ON WASTE DISCHARGE LINE, AIR RELIEF VALVE AT THE HIGH POINT OF THE FILTER SYSTEM, AND A WELDED TANK DRAIN.
 13. FLOWMETER SHALL BE PROVIDED IN THE INLET RETURN LINE WITH THE FOLLOWING ACCESSORIES: 1/2" NPT, 1/2" I.D. WITH 1/2" O.D. WELDED TANK DRAIN, 1/2" NPT, 1/2" I.D. WITH 1/2" O.D. WELDED TANK DRAIN, 1/2" NPT, 1/2" I.D. WITH 1/2" O.D. WELDED TANK DRAIN, 1/2" NPT, 1/2" I.D. WITH 1/2" O.D. WELDED TANK DRAIN.
 14. ALL EVACUATION SHALL BE TO AN APPROVED PLUMBING FIXTURE. ALL EVACUATION SHALL BE RECEIVED INTO THE SANITARY SEWER OR OTHER APPROVED WASTE.
 15. PROVIDE AT LEAST THE MIN. REQUIRED SPACE AROUND THE HEAT EXCHANGER PER MFG. SPECS.
 16. PROVIDE HEAT SINK OR CPVC PIPING IF RECOMMENDED BY HEATER MANUFACTURER. INSTALL PER MANUFACTURER RECOMMENDATIONS.
 17. INSTALL A THERMOMETER ON HEAT EXCHANGER INFLUENT AND EFFLUENT PIPES AND IN THE POOL RETURN LINE A MINIMUM OF 5'-0" AFTER HEAT EXCHANGER BYPASS (WHEN A BYPASS VALVE IS PROVIDED).
 18. ALL SELF PRIMING CIRCULATING PUMPS SHALL BE INSTALLED NO MORE THAN 2'-0" ABOVE THE OPERATING WATER LEVEL OF THE POOL BEING SERVED. ALL NON-SELF PRIMING PUMPS SHALL BE INSTALLED BELOW THE WATER LEVEL OF THE POOL.
 19. HEAT EXCHANGERS MUST MEET THE STATE & LOCAL CODES FOR HEAT EXCHANGER INSTALLATION.
 21. PROVIDE A COMBINATION VACUUM/PRESSURE GAUGE ON THE SUCTION SIDE OF THE CIRCULATION PUMP.

- POOL PIPING NOTES:**
1. ALL PIPING SHALL BE NSF APPROVED (ANSI/NSF 14), SCHEDULE 40 PVC (UNLESS OTHERWISE NOTED).
 2. ALL PIPING SHALL BE IN ACCORDANCE WITH THE WYOMING STATE PLUMBING CODE AND THE A.S.T.M. DESIGNATION NUMBER D-1785, AND THE NSF SEAL FOR POTABLE WATER.
 3. PVC PIPE INSTALLED SHALL CONFORM TO THE REQUIREMENT OF TECHNICAL REPORT PPI-TR 13 (8/73), PLASTIC PIPE INSTITUTE.
 4. POOL CONTRACTOR SHALL MAKE EVERY EFFORT TO CURTAIL THE USE OF FITTINGS TO REDUCE HEAD.
 5. PIPING SHALL BE INSTALLED WITHOUT AIR ENTRAPPING HIGH POINTS OR REVERSE SLOPES, I.E. ON DISCHARGE LINES, NO DESCENDING RUNS BEYOND HORIZONTAL OR ASCENDING RUNS; ON SUCTION LINES, NO DESCENDING RUNS BEYOND ASCENDING RUNS.
 6. ALL UNDERGROUND PRESSURE AND SUCTION PIPING SHALL SLOPE A MINIMUM OF 1%.
 7. THE 1" ICE FEEDING FROM THE COMMON LINE BETWEEN THE APPROXIMATELY 1/2" BETWEEN THE PIPES.
 8. PIPING SHALL BE INSTALLED TO PREVENT FREEZING. WINTERIZE PIPING DURING WATER MONITOR WHEN SPA IS NOT IN OPERATION.
 9. ALL PIPING SHALL BE TESTED WITH AN INDUCED STATIC HYDRAULIC PRESSURE TEST AT MINIMUM 25 POUNDS PER SQUARE INCH (PSI) FOR 24 HOURS OR PER WRITTEN SPECIFICATIONS IF PROVIDED.
 10. ALL DRAIN FITTINGS TO CARRY 100% OF RECIRCULATION RATE AT A VELOCITY NOT TO EXCEED 1.5 FEET PER SECOND THROUGH THE CLEAR AREA OF THE GRATE WHEN ONE OUTLET FITTING IS COVERED.
 11. MAIN DRAIN PIPING SHALL CARRY 100% OF RECIRCULATION RATE AT A VELOCITY NOT TO EXCEED 6' PER SECOND.
 12. ALL PIPING DESIGNED FOR 6' PER SECOND MAXIMUM SUCTION, 10' PER SECOND MAXIMUM PRESSURE, AND 3' PER SECOND MAXIMUM GRAVITY.
 13. VERIFY PIPE SIZES WITH THE EQUIPMENT ROOM PLAN AND SCHEMATIC. IF THERE ARE ANY DISCREPANCIES, REPORT THEM TO THE ARCHITECT/ENGINEER IMMEDIATELY.
 14. POOL CONTRACTOR SHALL COORDINATE ALL WORK WITH ARCHITECTURAL, MECHANICAL, ELECTRICAL AND STRUCTURAL DRAWINGS.
 15. OVERALL PIPING IS SHOWN IN DIAGRAMMATIC FORM TO INDICATE WORK TO BE DONE RATHER THAN TO SHOW EXACT ROUTING & LOCATION. MAKE USE OF ALL DATA IN CONTRACT DOCUMENTS, VERIFY AGAINST DEVELOPED FIELD CONDITIONS, & INSTALL WORK IN AN ORDERLY ARRANGEMENT IN A MANNER TO OVERCOME STRUCTURAL, MECHANICAL & ELECTRICAL INTERFERENCE.

5047 S. Caldera Dr.
Murray, Utah 84202
Phone: (801) 265-4141
Fax: (801) 265-4095

Water Design Inc.

66 E. 3750 S.
21st. Lone City, UT 84115
Phone: (801) 265-1707
Fax: (801) 265-1753

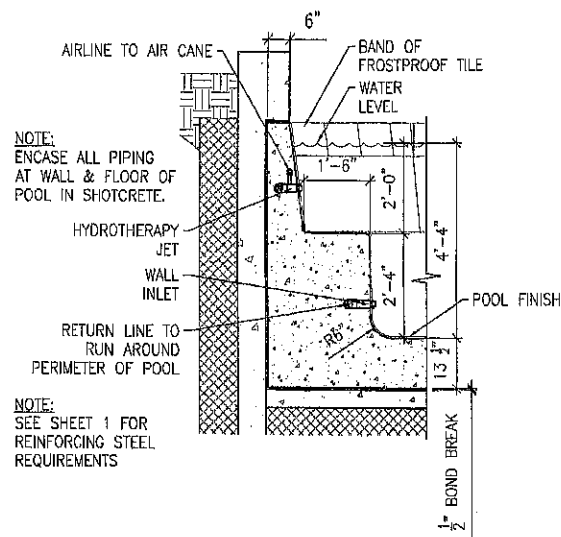
SWIM CLEAN INC.

Caudy-Heighen Residence
Gros ventre North, Lot #17
Jackson, Wyoming

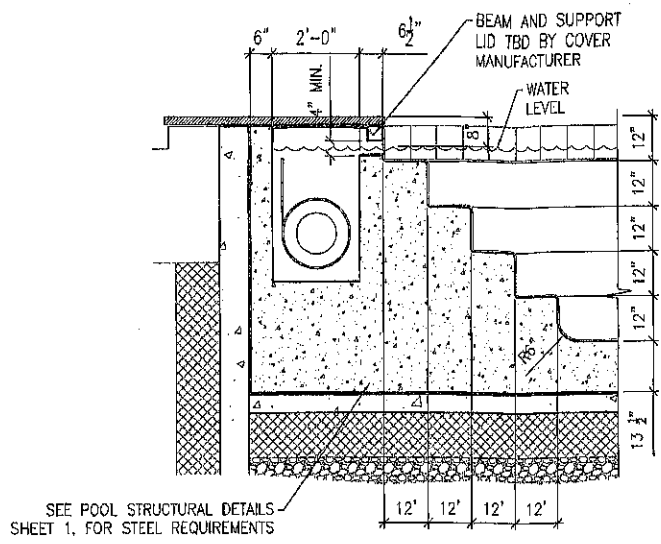
POOL PIPING PLAN

DATE: Dec. 14, 2012
REVISED:
BY:
CHECKED:
DESIGNED:
DRAWN:
SCALE: DS
12-102P8
2 of 4

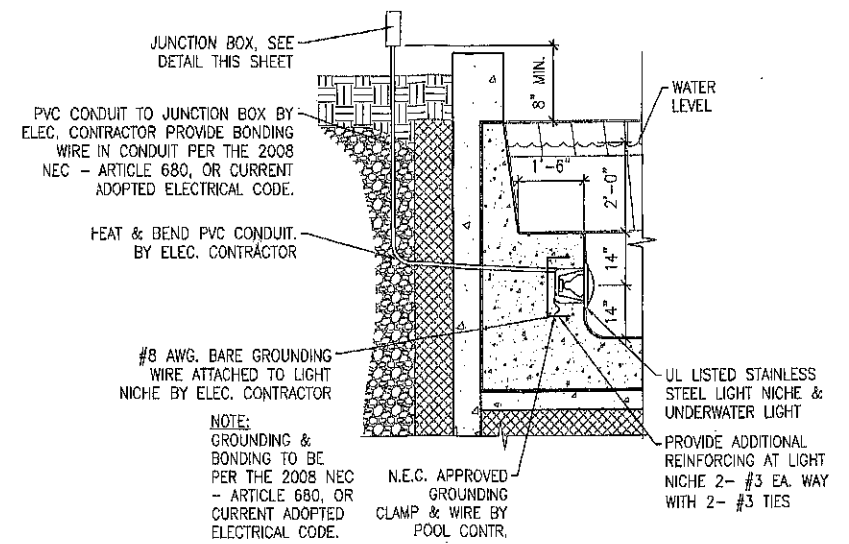
The entire contents of the attached documents, including all sketches, plans, studies, drawings, schedules and specifications and all copyright therein are, and shall remain the sole property of Water Design Incorporated. The documents and their contents may not be made, photocopied or reproduced digitally, electronically or in any other manner without the express prior written consent of Water Design Incorporated.



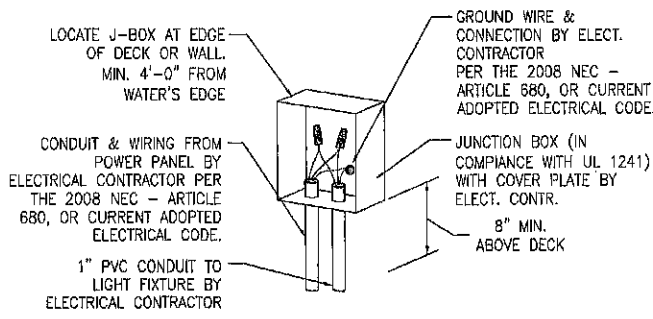
POOL WALL DETAIL A
SCALE 1/2" = 1'-0"



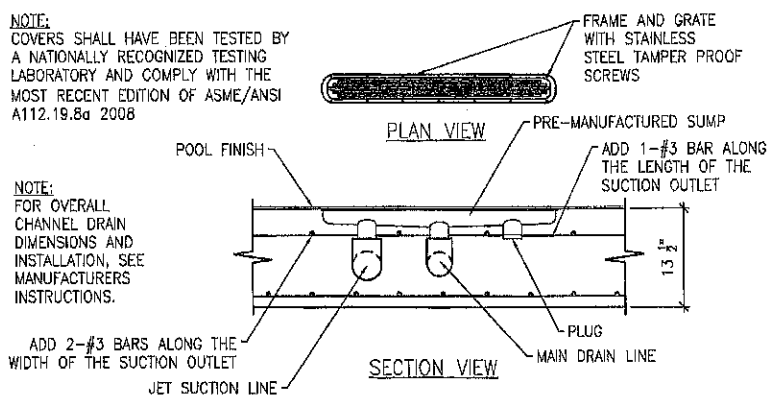
POOL STAIR DETAIL B
SCALE 1/2" = 1'-0"



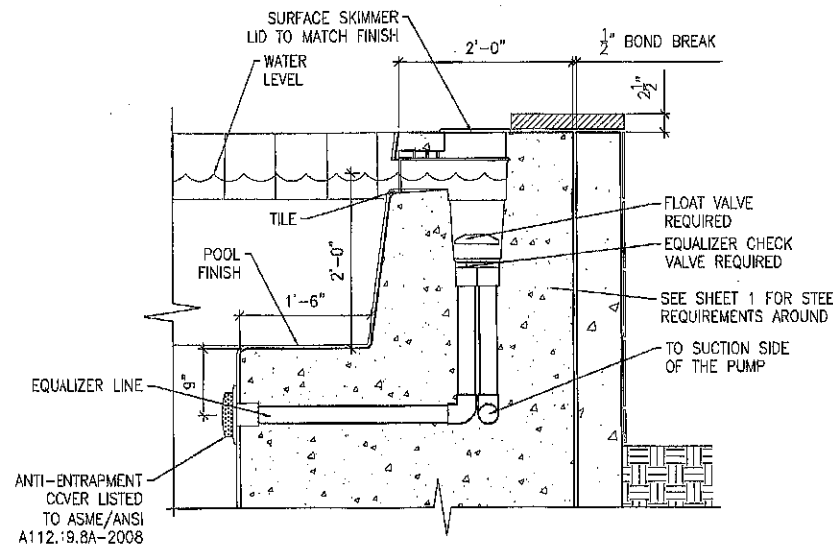
POOL UNDERWATER LIGHT DETAIL C
SCALE 1/2" = 1'-0"



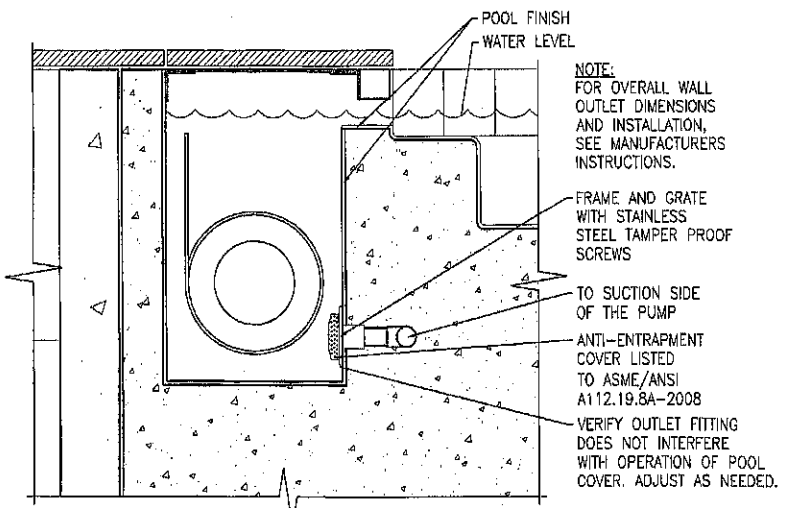
UNDERWATER LIGHT JUNCTION BOX DETAIL D
SCALE NONE



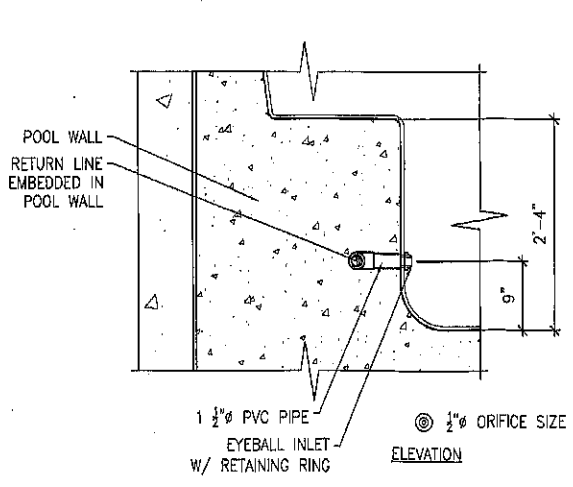
POOL MAIN DRAIN DETAIL E
SCALE 1" = 1'-0"



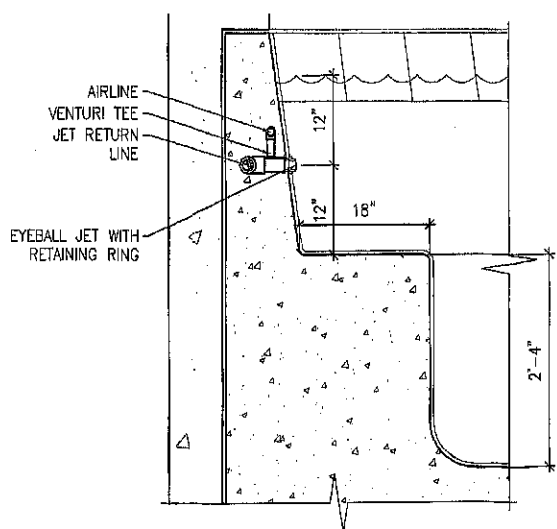
SKIMMER DETAIL F
SCALE 1" = 1'-0"



WALL OUTLET DETAIL G
SCALE 1" = 1'-0"



INLET DETAIL H
SCALE 1" = 1'-0"



HYDRO-THERAPY JET DETAIL J
SCALE 1" = 1'-0"

5647 S. Galena Dr.
Murray, Utah 84203
Phone: (801) 265-4039
Fax: (801) 265-4099

Water Design Inc.

66 E. 3750 S. 84115
Salt Lake City, UT
Phone: (801) 265-1707
Fax: (801) 265-1753

SWIM CLEAN INC.

Cady-Heighen Residence
Gros Ventre North, Lot #17
Jackson, Wyoming

PROFESSIONAL ENGINEER
STATE OF WYOMING
FOR: HYDRAULIC, FILTRATION SYSTEMS ONLY

DETAILS

Dec 14, 2012

DATE: D8
REV: 12-102RS

3 of 4

The entire contents of the attached documents, including all sketches, plans, studies, drawings, schedules and specifications and all copyrights therein are, and shall remain the sole property of Water Design Incorporated. The documents and their contents may not be used, photocopied or reproduced digitally, electronically or in any other manner without the express prior written consent of Water Design Incorporated.